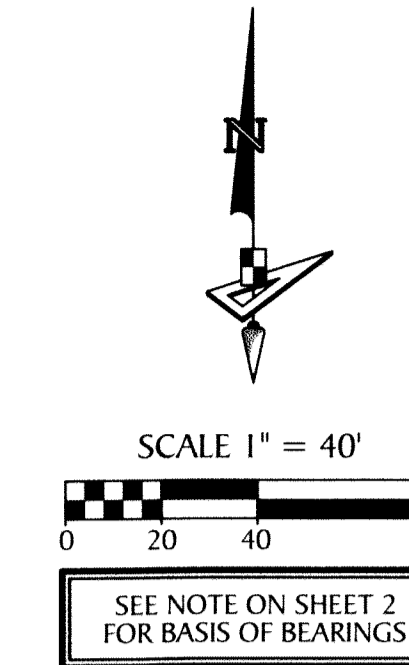
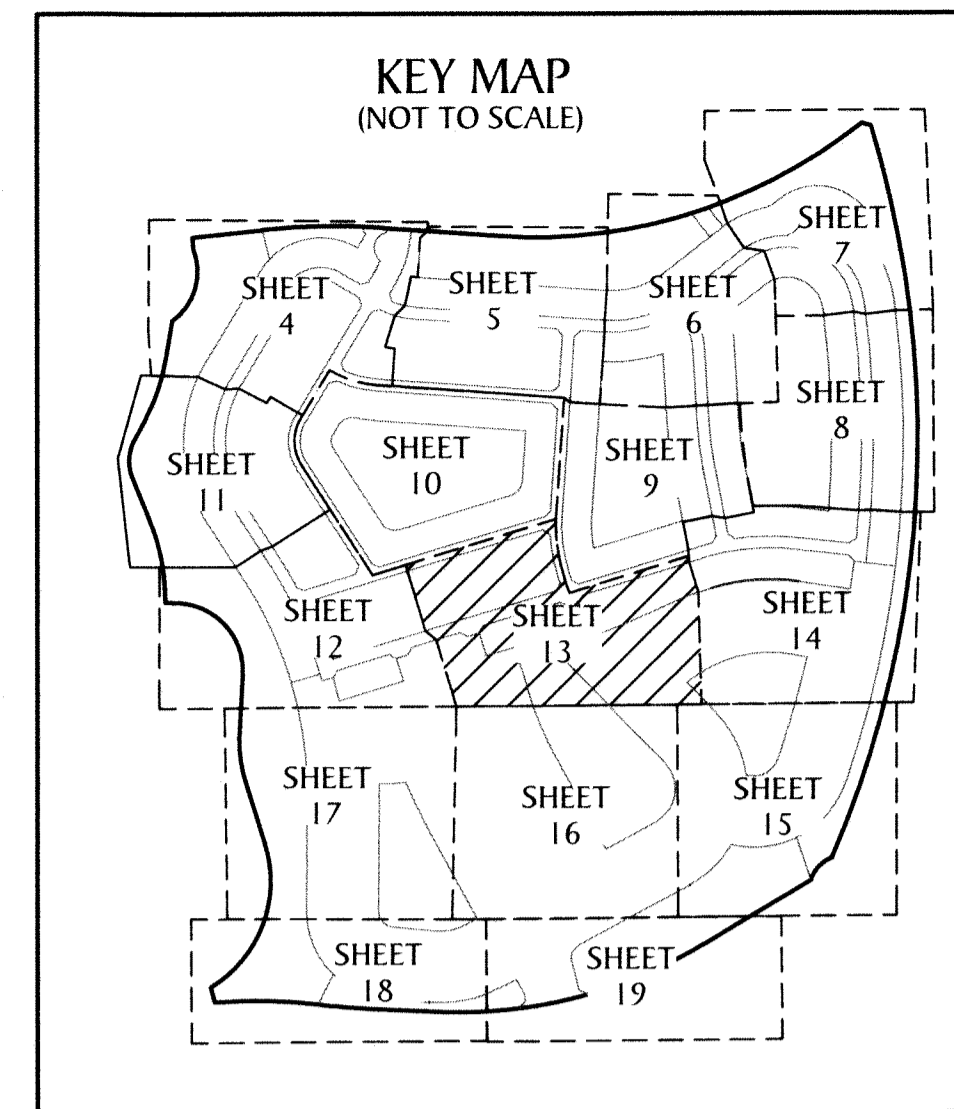
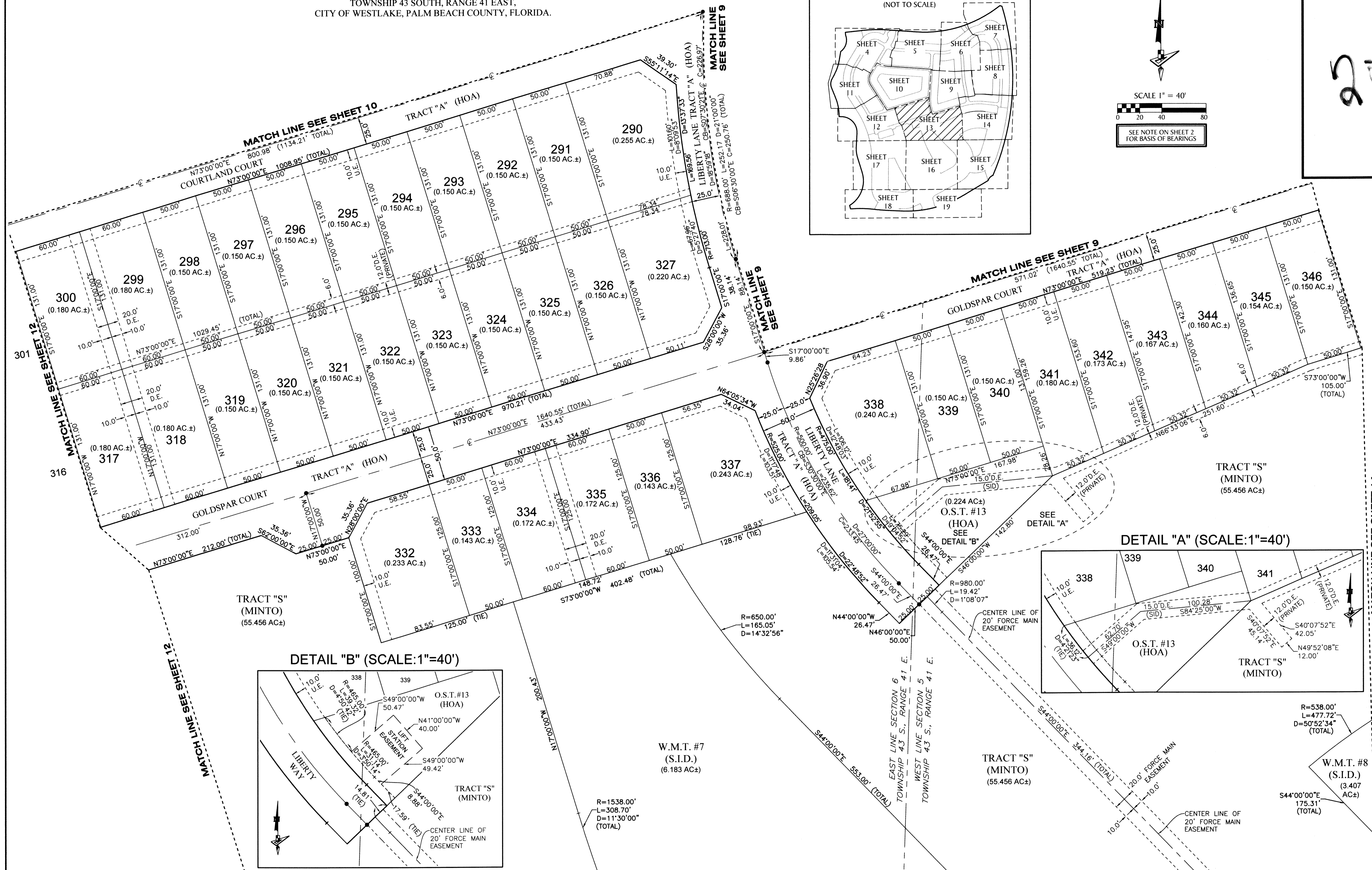


# ORCHARDS OF WESTLAKE - PHASE I

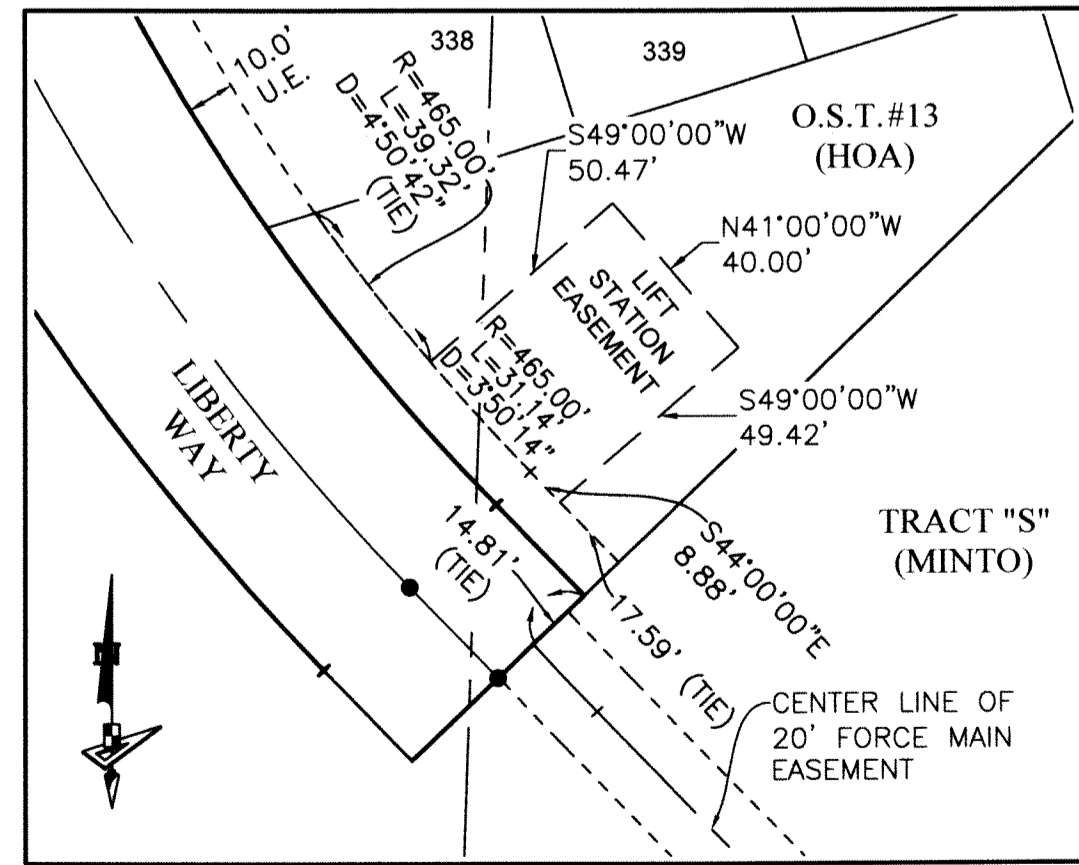
BEING PORTIONS OF SECTIONS 5, 6, 7 AND 8, ALL IN  
TOWNSHIP 43 SOUTH, RANGE 41 EAST,  
CITY OF WESTLAKE, PALM BEACH COUNTY, FLORIDA.



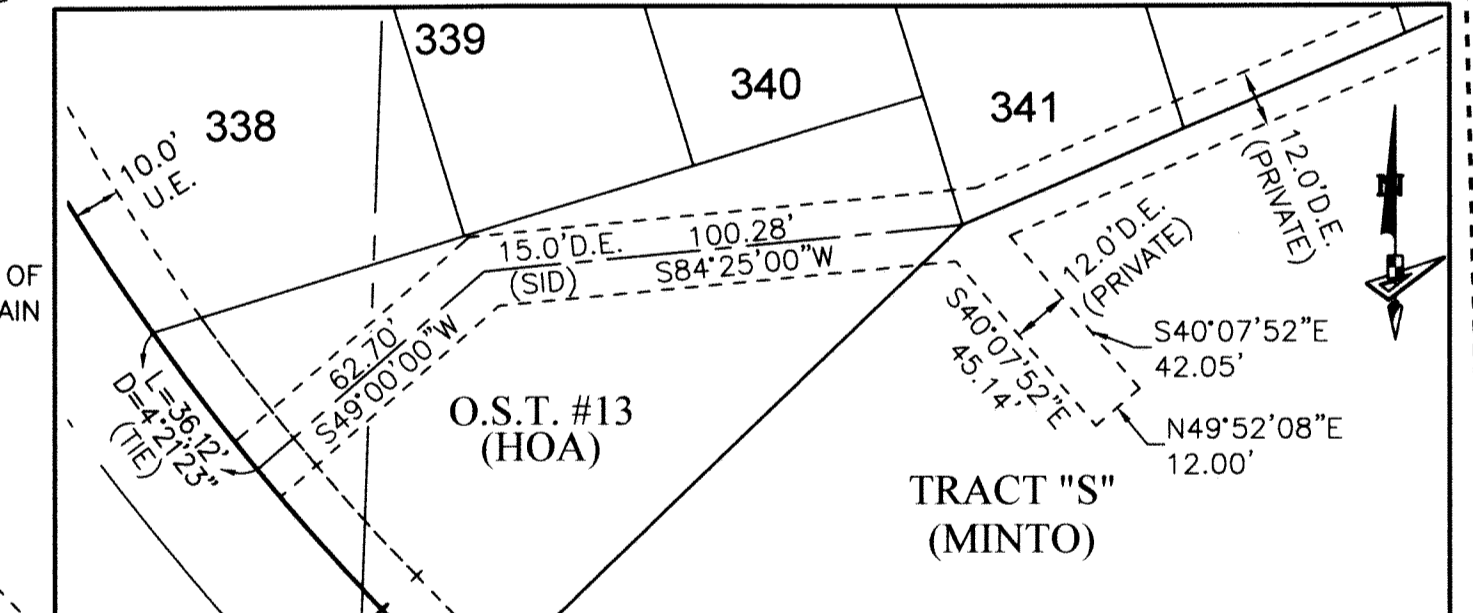
204



DETAIL "B" (SCALE: 1"=40')



DETAIL "A" (SCALE: 1"=40')



P.O.B. ----- POINT OF BEGINNING  
P.O.C. ----- POINT OF COMMENCEMENT  
P.B. ----- PLAT BOOK  
D.B. ----- DEED BOOK  
PG./PG(S) ----- PAGE(S)  
NAD ----- NORTH AMERICAN DATUM  
W.M.T. ----- WATER MANAGEMENT TRACT  
O.S.T. ----- OPEN SPACE TRACT

P.B.C. ----- PALM BEACH COUNTY  
U.E. ----- UTILITY EASEMENT  
D.E. ----- DRAINAGE EASEMENT  
L.M.A.E. ----- LAKE MAINTENANCE ACCESS EASEMENT  
7-43-41 ----- SECTION-TOWNSHIP-RANGE  
R ----- RADIUS  
L ----- ARC LENGTH

LEGEND

D ----- DELTA ANGLE  
CB ----- CHORD BEARING  
C ----- CHORD  
N.T. ----- NON-TANGENT  
N.T.C. ----- NON-TANGENT CURVATURE  
P.C. ----- POINT OF CURVATURE  
P.T. ----- POINT OF TANGENCY  
R/W ----- RIGHT-OF-WAY  
(R) ----- RADIAL  
(NR) ----- NON-RADIAL  
HOA ----- HOMEOWNERS ASSOCIATION  
S.I.D. ----- SEMINOLE IMPROVEMENT DISTRICT  
PRM ----- PERMANENT REFERENCE MONUMENT

MATCH LINE SEE SHEET 16

● ----- PERMANENT CONTROL POINT  
□ ----- FOUND PERMANENT REFERENCE MONUMENT  
■ ----- SET 4"x4" CONCRETE MONUMENT WITH 2" ALUMINUM DISK STAMPED "PRM LB 7768"